

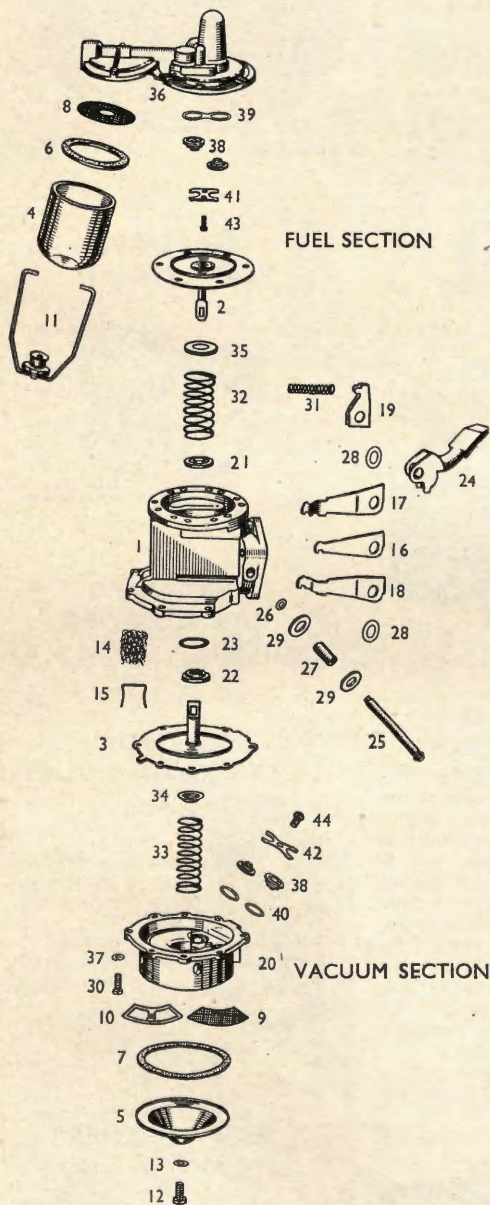
# A.C. FUEL PUMP SPARES

## STANDARD PARTS FOR COMBINATION FUEL AND VACUUM PUMP, TYPE WE

List No. ZB5450

(4)

Illust. No.	Description	Part Number	Price
2	Diaphragm assembly ... .. fuel	1524644	4/6 Each
3	Diaphragm assembly ... .. vacuum	1524660	9/- "
4	Filter bowl ... .. fuel	855927	1/3 "
5	Filter cover ... .. vacuum	1524672	1/3 "
6	Filter bowl gasket ... .. fuel	854003	5d "
7	Filter cover gasket ... .. vacuum	1524673	8d "
8	Filter gauze ... .. fuel	854009	10d "
9	Filter gauze ... .. vacuum	1524669	7d "
10	Filter gauze retainer ... .. vacuum	1524670	9d "
11	Filter bowl retainer ... .. fuel	856509	2d "
12	Filter cover screw ... .. vacuum	1524746	6d "
13	Filter screw washer ... .. vacuum	856741	6/- Per 100
14	Hair breather pad ... ..	1524659	1d Each
15	Hair pad retainer ... ..	1524655	1d "
16	Link, centre ... .. fuel	1524678	8d "
17	Link, R.H. ... .. vacuum	1524677	1/3 "
18	Link, L.H. ... .. vacuum	1524679	1/3 "
19	Link spacer ... ..	1524651	4d "
21	Oil seal ... .. fuel	1524658	2/9 "
22	Oil seal ... .. vacuum	1524656	4/- "
23	Oil seal washer ... .. vacuum	1524657	1d "
25	Rocker arm pin ... ..	1524830	9d "
26	Rocker pin retaining washer ... ..	1524810	4/- Per 100
27	Rocker pin bush ... ..	1524674	1/8 Each
28	Rocker pin shim washer ... ..	1524680	1d "
29	Rocker pin spacing washer ... ..	1524675	1d "
30	Screw, diaphragm clamping ... ..	855493	1d "
31	Spring, rocker arm ... ..	1524652	3d "
34	Spring seat ... .. vacuum	1524665	1d "
35	Spring locator ... .. fuel	1524648	3d "
37	Washer, lock ... ..	114648	2/8 Per 100
38	Valve assembly ... .. fuel & vacuum	5591860	1/3 Each
39	Valve gasket ... .. fuel	1524370	1d "
40	Valve gasket ... .. vacuum	1524667	2/8 Per 100
41	Valve retainer ... .. fuel	1524371	4d Each
42	Valve retainer ... .. vacuum	1524666	3d "
43	Valve retaining screw ... .. fuel	132696	6/- Per 100
44	Valve retaining screw ... .. vacuum	132900	1d Each



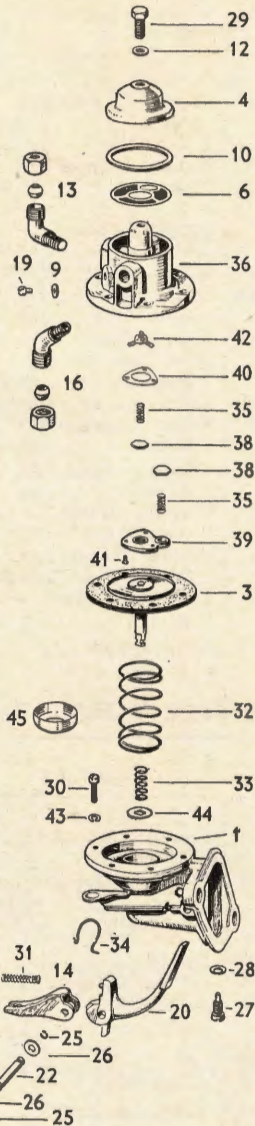
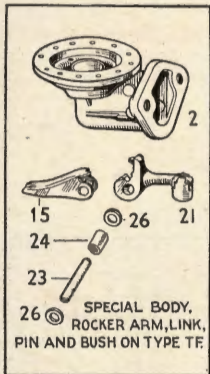
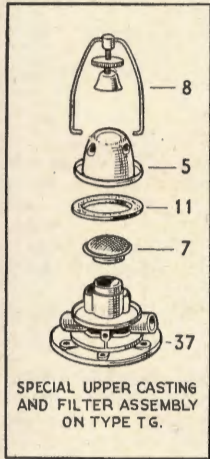
# A.C. FUEL PUMP SPARES

## STANDARD PARTS FOR TYPE T FUEL PUMP

(Also includes Subsidiary Types TF & TG)

(4)

List No. ZB5460



Illust. No.	Description	Used on	Part Number	Price
3	Diaphragm assembly ... ..	T, TF, TG	1524628	4/6 Each
4	Filter cover ... ..	T, TF	1524202	1/- "
5	Filter cover—glass ... ..	TG	1524247	1/3 "
5	Filter cover—metal ... ..	TG	1524316	3/6 "
6	Filter gauze ... ..	T, TF	1521479	1/9 "
7	Filter gauze ... ..	TG	1524250	2/- "
8	Filter cover retainer ... ..	TG	1524253	1/9 "
9	Gasket, drain plug (standard $\frac{3}{16}$ " hole)	T, TF	851297	4/- Per 100
9	Gasket, drain plug ( $\frac{1}{2}$ " hole) ... ..	T	856784	2d Each
10	Gasket, filter $2" \times 1\frac{11}{16}"$ ... ..	T, TF	1521480	5d "
11	Gasket, filter $2\frac{5}{16}" \times 1\frac{13}{16}"$ ... ..	TG	1524246	6d "
12	Gasket, filter screw ... ..	T, TF	856741	6/- Per 100
14	Link ( $\frac{1}{2}$ " holes) ... ..	T, TG	856961	1/8 Each ]
15	Link ( $\frac{3}{8}$ " holes) ... ..	TF	1524184	1/9 "
17	Priming handle set ... ..	T	1524222	2/9 "
17	Priming handle set ... ..	TF	1524457	3/- "
18	Priming handle set ... ..	T,TF	1524458	3/- "
18A	Priming pull rod set ... ..	T	1524534	1/- "
19	Plug, drain, standard (round head, $\frac{3}{16}$ " screw)	T, TF	132100	6/- Per 100
19	Plug, drain (hexagon head, $\frac{1}{2}$ " screw) ...	T	856783	6d Each
22	Rocker arm pin ... ..	T, TG	856035	6d "
23	Rocker arm pin ... ..	TF	1524183	10d "
24	Rocker pin bush ... ..	TF	1524350	1/4 "
25	Rocker pin clip ... ..	T, TG	1524112	4/- Per 100
26	Rocker pin washer ... ..	T, TF, TG	856939	4/- "
27	Rocker arm stop screw ... ..	T	856954	6d Each
28	Rocker stop screw washer ... ..	T	1524225	1d "
29	Screw, filter cover ... ..	T, TF	1524449 (123325)	6d "
30	Screw, upper casting ... ..	T, TF, TG	132117 (855493)	6/- Per 100
31	Spring, rocker arm ... ..	T, TF, TG	856927	2d Each ]
33	Spring, oil seal ... ..	T, TF, TG	1524070	1d "
34	Spring, priming lever ... ..	T, TF	856942	2d "
	Spring, priming (April 1945 on)— included in illust. No. 18.	T, TF	1524463	8d "
35	Spring, valve ... ..	T, TF, TG	856270	1d "
37	Upper casting ... ..	TG	1524404	12/- "
38	Valve, $\frac{11}{16}$ " A/F ... ..	T, TF, TG	855279	2d "
39	Valve plate ... ..	T, TF, TG	1524385 (856968)	1/- "
40	Valve plate gasket ... ..	T, TF, TG	1521472	1d "
41	Valve retainer screw ... ..	T, TF, TG	856374	4/- Per 100
42	Valve spring retainer ... ..	T, TF, TG	1521473	4d Each
43	Washer, cover screw ... ..	T, TF, TG	114648	2/8 Per 100
44	Washer, oil seal, metal ... ..	T, TF, TG	1524111	1d Each
44	Washer, oil seal, fabric ( $\frac{11}{16}$ " o/d) ...	T	1524261	2d "
45	Oil seal retainer ... ..	T	1524593	3d "
	(Used after May 1948 with fabric washer 1524261)			

Earlier parts given in brackets are interchangeable.

# A.C. FUEL PUMP SPARES

## STANDARD PARTS FOR TYPE U FUEL PUMP —with detachable valve and seat assemblies

List No. ZB5470

(Also includes Subsidiary Types UF, UG & UE)

(4)



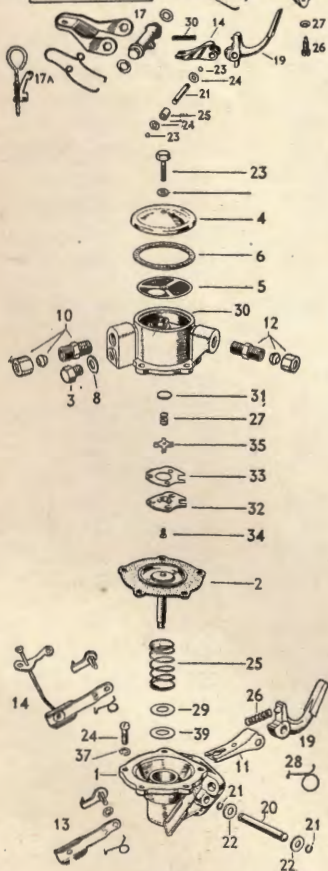
SPECIAL UPPER CASTING FOR TYPE U PUMPS ON BEIFORD AND VADWELL. ALSO SEE LINK ... 1524184. ROCKER PIN BUSH 1524330.



SPECIAL BODY, ROCKER ARM, LINK, PIN AND BUSH ON TYPE UF.



SPECIAL UPPER CASTING AND FILTER ASSEMBLY ON TYPE UE.



Illus. No.	Description	Used on	Part Number		Illus. No.	Description	Used on	Part Number	
3	Diaphragm assembly ...	U, UF, UG	1524628	each 4/6	23	Rocker pin clip	U, UG	1524112	per 100 4/-
4	Filter cover ...	U, UF	1524369	1/2	24	Rocker pin washer ...	U, UF, UG	856939	4/- each 1/4
5	Filter cover—glass ...	UG	1524247	1/3	25	Rocker pin bush	UF, UG	1524350	1/4
5	Filter cover—metal ...	UG	1524316	3/6	26	Rocker arm stop screw ...	U, UG	856954	6d.
5A	Filter bowl—glass ...	UE	855927	1/3	27	Rocker screw washer ...	U, UG	1524225	1d.
6	Filter gauze ...	U, UF	1524373	2/4	28	Screw, filter cover ...	U, UF	1524449 (123325)	6d.
7	Filter gauze ...	UG	1524250	2/-	29	Screw, upper casting ...	U, UF, UG	132117 (855493)	per 100 6/-
7A	Filter gauze ...	UE	854009	10d.	30	Spring, rocker arm ...	U, UF, UG	856927	each 2d.
8	Filter cover retainer ...	UG	1524253	1/9	32	Spring, oil seal... lever ...	U, UF, UG	1524463	8d.
9	Gasket, drain plug ...	U, UF	851297	per 100 4/-	32A	Spring, priming lever ...	U, UF, UG	1524463	8d.
10	Gasket, filter 2 3/8" x 1 1/8" ...	U, UF	1524372	each 5d.	35	Valve gasket ...	U, UF, UG	1524370	1d.
11	Gasket, filter 2 5/8" x 1 1/8" ...	UG	1524246	6d.	36	Valve and seat assembly ...	U, UF, UG	1524365	1/3 4d.
11A	Gasket, filter, 2 5/8" x 1 1/8" ...	UE	854003	4d.	37	Valve retainer ...	U, UF, UG	1524371	4d.
12	Gasket, filter screw ...	U, UF	856741	per 100 6/-	38	Valve retainer screw ...	U, UF, UG	132696	per 100 6/-
14	Link (1/4" holes) ...	U	856961	1/8	39	Washer, cover screw ...	U, UF, UG	114648	2/8 each 1d.
15	Link (3/8" holes) ...	UF, UG	1524184	1/9	40	Washer, oil seal, metal ...	U, UF, UG	1524111	1d.
17	Priming handle set ...	U, UF, UG	*1524458	3/-	40	Washer, oil seal, fabric (1/8" o.d.)	U, UF, UG	1524261	2d.
17A	Priming pull rod set ...	U	1524534	1/-	42	Filter bowl retainer ...	UE	856509	2/-
18	Plug, drain ...	U, UF	132100	per 100 6/-					
21	Rocker arm pin	U, UG	856035	6d.					
22	Rocker arm pin	UF	1524183	10d.					

Earlier parts given in brackets are interchangeable.

List No. ZB5475

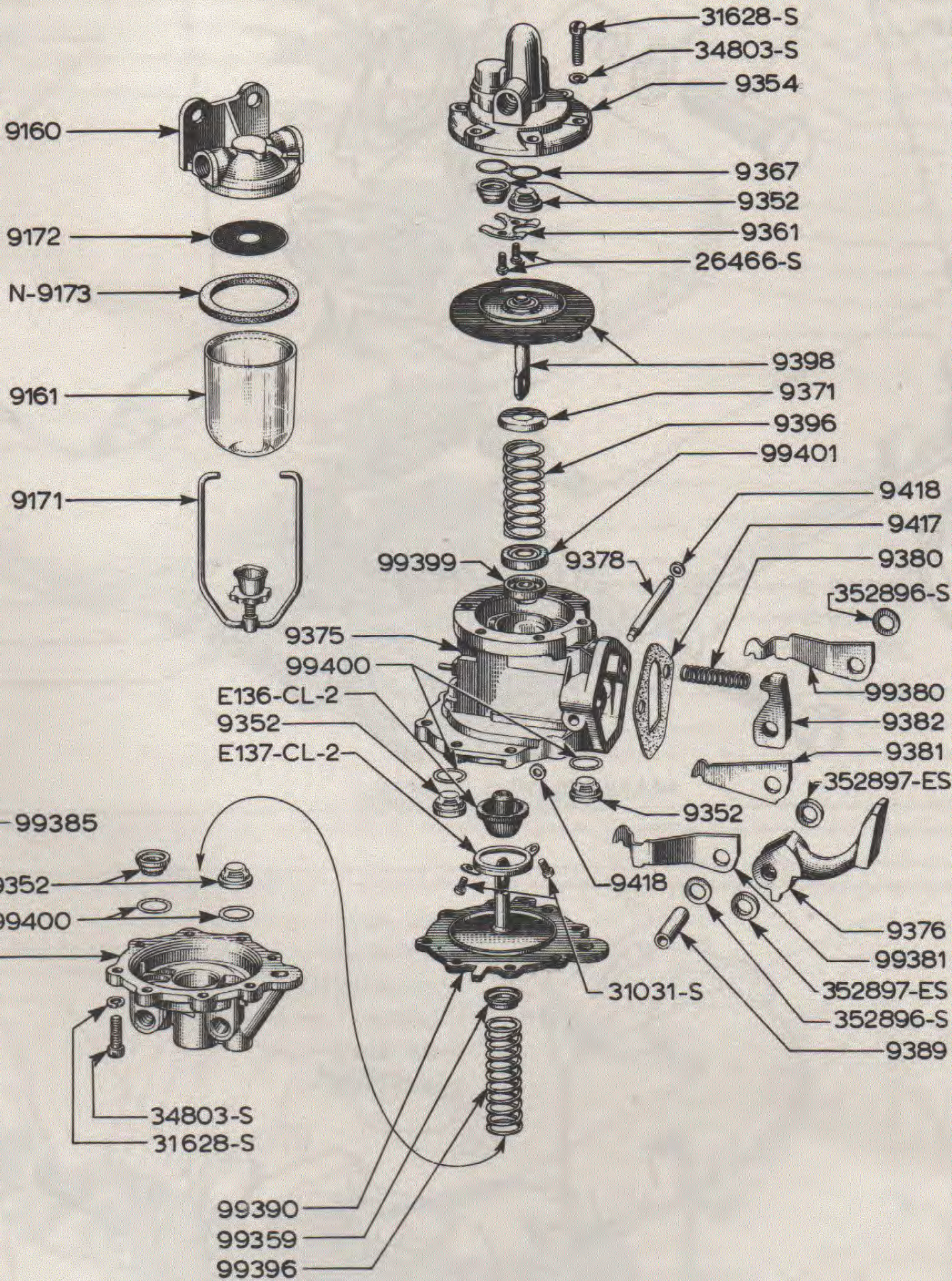
## STANDARD PARTS FOR TYPE Y FUEL PUMP

(4)

Illus. No.	Description	Part Number		Illus. No.	Description	Part Number	
2	Diaphragm assembly ...	1524631	each 3/9	24	Screw, upper casting ...	132117	per 100 6/- each 2d.
3	Drain plug ...	856783	6d.	26	Spring, rocker arm ...	856830	per 100 4/- each 2d.
4	Filter cover ...	856820	6d.	27	Spring, valve ...	856832	per 100 4/- each 2d.
5	Filter gauze ...	856850	1/8	28	Spring, priming lever ...	1524217	2d.
6	Gasket, filter cover ...	856821	3d.	29	Oil seal washer—metal ...	1524575	1d.
7	Gasket, filter screw—fibre	851297	per 100 4/-	31	Valve, 3/8 A/F ...	855003	2d.
7	Gasket, filter screw—cork	856822	4/-	32	Valve plate ...	1524569 (1524123)	10d.
8	Gasket, drain plug ...	856784	each 2d.	33	Valve plate gasket ...	856826	3d.
11	Link ...	856817	1/6	34	Valve plate screw ...	856374	per 100 4/- each 2d.
11	Link and leaf spring assembly	856902	1/6	35	Valve spring retainer ...	1524344	per 100 2/8
13	Priming lever parts set ...	1524223	1/9	37	Washer, lock ...	114648	per 100 2/8
14	Primer parts set (push rod)	1524325	3/-	39	Washer, oil seal, fabric (3/8" o/d) ...	1524573	each 1d.
20	Rocker arm pin ...	856035	6d.				
21	Rocker pin clip ...	1524112	per 100 4/-				
22	Rocker pin washer ...	856828	4/-				
23	Screw, filter cover ...	856824	each 5d.				

\* On pumps prior to April 1945 with single-sided primers, use primer parts set 1524457.

WG Fuel/Vacuum Pump - Ford rather than AC part numbering



PETROL AND VACUUM PUMP